

Manufacturer of Marine Lights, Hardware and Accessories

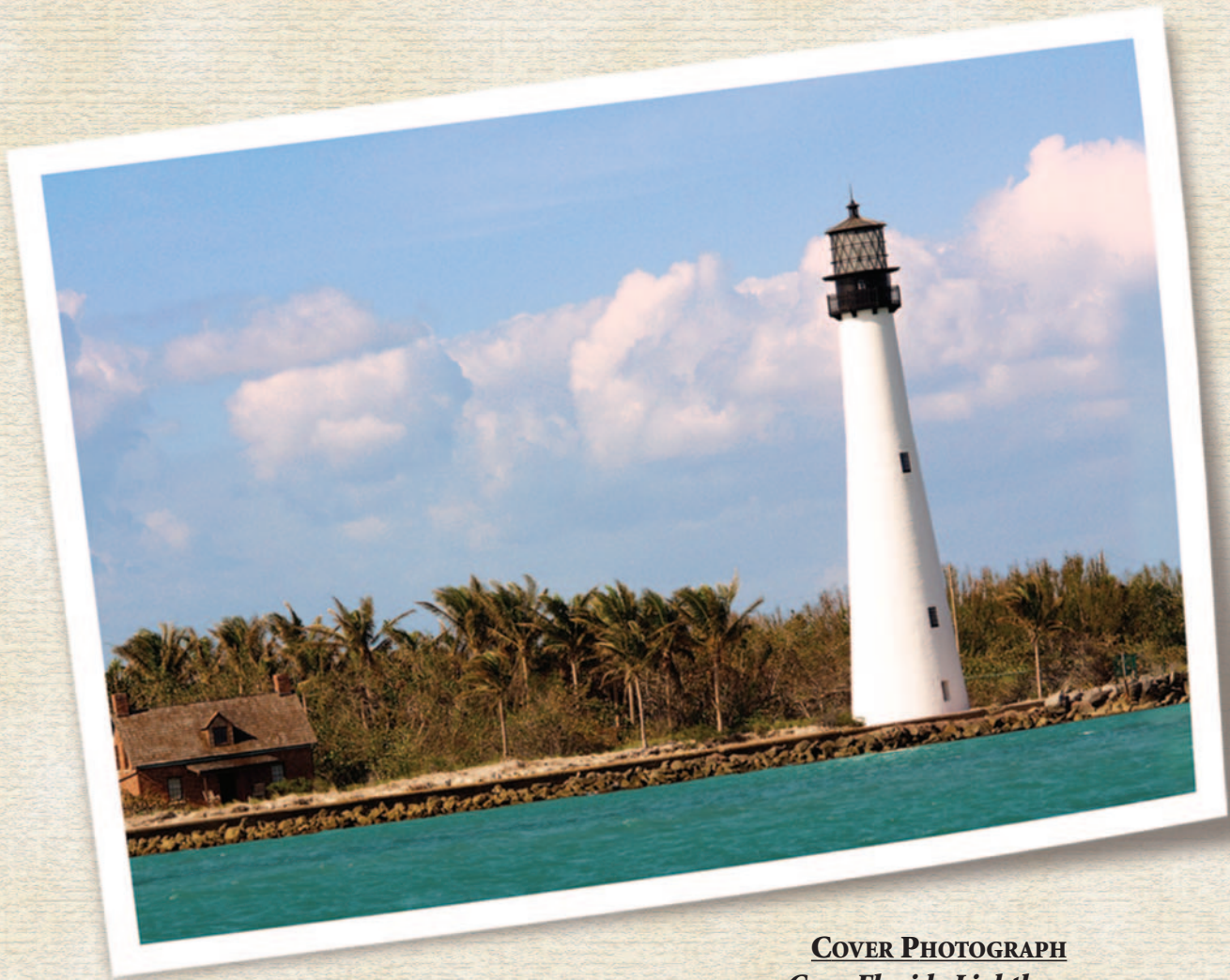
PERKO®

New Product
Supplement



ISO 9001:2000 Certified

Catalog No. 305-S
2008 - 2009



COVER PHOTOGRAPH
Cape Florida Lighthouse
Key Biscayne, Florida
Cover Photo By: Richard A. Cozier

The lighthouse is located on the southernmost tip of Key Biscayne in the historic Bill Baggs State Park and Recreation Area. Owned by the State, Cape Florida lighthouse is the oldest landmark in South Florida.

Cape Florida was originally discovered by the Spanish explorer Ponce de Leon in 1513. The surrounding area was known for ferocious storms, uncharted waters with hidden sandbars and submerged reefs, all very hazardous to early sailors, causing hundreds of shipwrecks along the Straits of Florida.

The original lighthouse and cottage was built in 1825 at a height of 65 feet. On July 23, 1836 the lighthouse and keeper quarters were attacked and burned by Seminole Indians as part of the second Seminole Wars. The assistant lighthouse keeper survived the attack and was rescued by the crew of a Navy schooner. However his helper was killed. The light remained out of service from 1836 until 1847. In 1846 Congress allocated \$23,000 to reconstruct the light and on April 30, 1847 the light was re-lit. In 1855 the lighthouse was renovated. Its height was increased to its current day height of 95 feet, and a 119 step spiral staircase was added. A second order fresnel lens was also installed.

In 1861 Confederate sympathizers ransacked the light and disabled it so it could not be used to aid the Union. The light was again repaired and put back in service after the war in 1866. After the nearby Fowery Rocks light was built in 1878, the Cape Florida lighthouse lens and illumination mechanics were removed and sent to Staten Island, N.Y.

Following Hurricane Andrew in 1992 another extensive restoration took place changing its appearance from brown brick to its present day white. Open to the public, today park rangers and guides offer tours of the grounds, cottage and lighthouse.



TABLE OF CONTENTS



PERKO®

We Make it Right, Right Here!!



CATALOG No. 305-S NEW PRODUCT SUPPLEMENT 2008-2009

	Pages
1. General Information	2
2. Underwater Lighting	3 to 7
• Surface Mount	4
• L.E.D. Thru-Hull Mount	5
• Incandescent Thru-Hull Mount	6 & 7
3. Navigation Lights for Vessels Under 20 Meters	
• Bi-Color & Side Lights	8 & 9
• White All-Round Lights	9 to 12
4. Marinium Pole Light Bases	13
5. Custom Pole Lights	14
6. Lighting Fixtures	15 to 17
7. T-Handle Surface Mount Locks	18
8. Battery Switches	19
9. Sales Representatives	20

Manufacturer of Ship and Boat Equipment

Street Address:

16490 Northwest 13th Avenue
Miami, Florida 33169-5707

Mailing Address:

P.O. Box 64000D
Miami, Florida 33164-0510

Telephone Number: (305) 621-7525

Fax Number: (305) 620-9978

e-mail: sales@perko.com

Web Site: www.perko.com

Portions of this Catalog Previously Copyrighted in 1936 - 2006

© Perko, Inc. 2008 All Rights Reserved



SALES POLICY

PERKO Products are sold through our established Distributors. We do not sell direct to the public or organizations. Therefore, possession of this catalog does not infer an offer to sell. Please contact your local marine supplier.

PRICES AND TERMS

Our costs can change due to causes beyond our control. Therefore, our price list is only intended for the guidance of our customers and does not necessarily establish current prices. All prices are subject to change without notice.

Orders from firms having no satisfactory history or credit rating with us must be prepaid. C.O.D. shipments will be made if a 25% deposit is sent with order. Cash discounts do not apply to C.O.D. shipments.

DESIGNS

For the purpose of continuous improvement in our products, the designs and specifications are subject to change without notice.

RETURN GOODS

A Repackaging Service Charge of \$10.00 net will apply to all broken packages. Products made to order are not returnable. Stock products in new, saleable condition are only returnable when permission has been granted by us, and are subject to handling and repackaging charges. Return shipping charges must be prepaid. Purchase date and invoice number are required when requesting an R.G.A. (Return Goods Authorization) number. Permission must be requested within 30 days after receipt of goods.

WEIGHTS

The weights given in this catalog are approximate, but should be sufficient for general purposes.

SHIPPING INSTRUCTIONS

Customers should send specific shipping instructions; otherwise, we will use our own judgement in selecting route.

SHIPMENTS

F.O.B. our plant, Miami, Florida, unless quoted otherwise. We are not responsible for damage, loss or delay after goods are delivered to carrier. When loss or delay occurs, we will gladly assist in tracing or expediting, but such assistance is no criterion of responsibility.

When there is loss or apparent visible damage to a shipment when tendered for delivery, do not give the carrier a clear receipt. Note such damage on the carrier's delivery receipt and have the driver sign the receipt.

CONCEALED DAMAGE OR LOSS

1. Advise the delivering carrier in writing as soon as discovered or no more than 15 days after delivery, and request carrier to make an inspection.
2. Retain, for the carrier's inspection, the container and all packaging that the damaged or lost material was packaged in.
3. Shortages - Must be reported to us within 15 days after receipt of goods.

PERKO®

LIMITED WARRANTY

PERKO, INC. (PERKO) warrants to the original consumer-purchaser that PERKO'S products will be free from defective materials or workmanship, and that the PERKOPLATE/PERKO•KOTE Finish will remain corrosion-free under normal use and service, for a period as shown below from the original purchase date:

Product Class	Duration
Products installed by a manufacturer as original equipment	1 year or duration of the manufacturer's general accessory warranty, whichever is longer
Commercial Products (and/or Products used in Commercial Service) and Searchlights	1 Year
Products not included above and which are purchased over-the-counter at a retail dealer	5 Years

ALL IMPLIED WARRANTIES, INCLUDING MERCHANTABILITY, ARE ALSO LIMITED IN DURATION TO THE WARRANTY PERIOD FROM THE ORIGINAL PURCHASE DATE.

PERKO SHALL NOT BE LIABLE FOR LOSS OF USE OF ANY OF ITS PRODUCTS, NOR FOR OTHER INCIDENTAL OR CONSEQUENTIAL COSTS, EXPENSES, OR DAMAGES INCURRED BY THE ORIGINAL PURCHASER OR BY ANY OTHER PERSON.

SOME STATES DO NOT ALLOW LIMITATIONS ON HOW LONG AN IMPLIED WARRANTY LASTS, SO THE ABOVE LIMITATION MAY OR MAY NOT APPLY TO YOU. SOME STATES DO NOT ALLOW THE EXCLUSION OR LIMITATION OF INCIDENTAL OR CONSEQUENTIAL DAMAGES, SO THE ABOVE LIMITATION OR EXCLUSION MAY OR MAY NOT APPLY TO YOU.

This warranty is void if the product warranted has been damaged by accident or unreasonable use, neglect, improper service or other cause not arising out of defects in material or workmanship. Excluded from this warranty are Electric Light Bulbs (lamps), Sealed Beam Units and Fuses. Specific warranty statements made on the smallest unit package, on the individual instruction/installation sheets, or on price quotations which accompany certain specialty, custom or individual products shall supercede this warranty.

During the warranty period, your PERKO product will either be repaired or it will be replaced with a like product (at PERKO's option) without charge to the original consumer-purchaser, when returned prepaid and insured, with proof-of-purchase date to PERKO at our Factory in Miami, FL. In the event of replacement, the replacement product will continue the warranty of the original product, or ninety (90) days, whichever is longer. **Important:** For this Warranty to be effective PERKO must be supplied with Proof-Of-Purchase date of the product.

PERKO does not authorize any person or company to create for it any other obligation or liability in connection with any of its products.

E-Z ON SURFACE MOUNT L.E.D. UNDERWATER LIGHTS



- EASY INSTALLATION
- 50,000 HR. L.E.D. RATED LIFE
- BLUE OR WHITE L.E.D. OPTIONS
- SINGLE OR DOUBLE PACK



TRADITIONAL THRU-HULL MOUNT UNDERWATER LIGHTS

- CHROME OR PLAIN BRONZE
- INCANDESCENT OR L.E.D.
- LARGE LIGHTS FOR LARGE BOATS
- SMALL LIGHTS FOR SMALL BOATS
- CHANGEABLE BEAM & COLOR OPTIONS
- IGNITION PROTECTED



FIG. 0181 - SURFACE MOUNT L.E.D. UNDERWATER LIGHT

**50,000 Hr.
Rated L.E.D.
Life**

CONSTRUCTION:

- LIGHTWEIGHT MOLDED PLASTIC BODY
- WHITE OR BLUE L.E.D.S
- AFFORDABLE, RUGGED & RELIABLE
- LOW DRAW, LONG LIFE L.E.D.
- INSTALLS EASILY WITH 3 SCREWS



**FIG. 0181
PROFILE**



**Available for Retail
Sale in Single or
Double Pack**



**INSTALLS WITH JUST
3 SCREWS
(NOT INCLUDED)**



FIG. 0181 FRONT

ORDERING INFO

Description	L.E.D. Color	Dealer Pkg. 5 Pkgs.	OEM		Ship Wt. Carton Lbs. DP/OEM Bulk
			Bulk Pkg. 10 Pcs.		
Surface Mount 1-Pk	White	0181DP1WHT	0181001WHT		3.6/4.6
Surface Mount 2-Pk	White	0181DP2WHT	-----		5.7
Surface Mount 1-Pk	Blue	0181DP1BLU	0181001BLU		3.6/4.6
Surface Mount 2-Pk	Blue	0181DP2BLU	-----		5.7

TECH INFO

- 12 Volt, 4.5W
- 50 Lumens
- L.E.D. Beam: 15°
- Lab Rated L.E.D. Life: 50,000 Hrs.
- Projection: 1-1/4"
- Overall Dia.: 2-7/8"

Screw Size: #8 R.H.

UNDERWATER LIGHTING

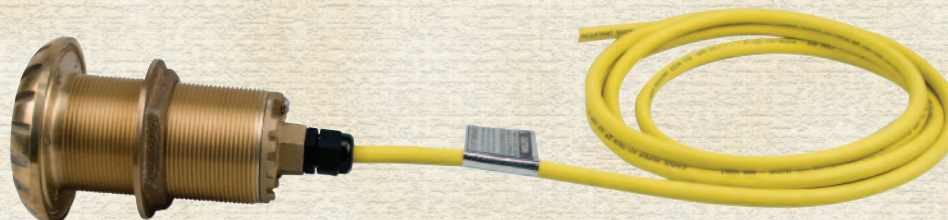
FIG. 0176 - L.E.D. THRU-HULL MOUNT UNDERWATER LIGHT

CONSTRUCTION:

- POLISHED OR CHROME PLATED BRONZE WITH MOUNTING RING
- 10 FEET OF 16/2 ELECTRICAL CABLE
- SAFETY SEAL DESIGN PREVENTS WATER INTRUSION IN THE EVENT OF GLASS BREAKAGE
- TERMINAL FOR BONDING WIRE
- L.E.D.'S PROVIDE LONGER LIFE, LESS HEAT AND USE 1/10TH THE ENERGY OF STANDARD LIGHTS
- IGNITION PROTECTED



FIG. 0176



UNDERWATER LIGHTING

ORDERING INFO			TECH INFO	
Description	Dealer Pkg. 1 Pc. per Box	Ship Wt. Carton Lbs. Dealer Pkg.	<ul style="list-style-type: none"> • 12 Volt, 5W, 0.4 Amps • Bulb 20° Beam • 85 Lumens • Lab Rated Bulb Life: 50,000 Hrs • Length Overall: 6-3/4" • Flange Dia.: 3-3/4" • Mounting Hole Dia.: 2-3/8" 	
Polished Brass	0176DP3PLB	4.9		
Chrome Plated	0176DP3CHR	4.9		
Description	OEM Bulk Pkg. 1 Pc. per Box	Ship Wt. Carton Lbs. OEM Bulk		
Polished Brass	0176003PLB	4.4		
Chrome Plated	0176003CHR	4.4		

SPARE PARTS ORDERING INFORMATION

Replacement 12V L.E.D.: 0078DP112V
 Replacement Lens Kit (includes O-Rings): 0174DP1LNS
IGNITION PROTECTED Power Relay for use with up to 4 lights: (12 volt)
 0061DP1RLY



**FIG. 0078
L.E.D.**

FIG. 0174 - THRU-HULL MOUNT UNDERWATER LIGHT

CONSTRUCTION:

Color Lens Filters



Included in Package

- POLISHED OR CHROME PLATED BRONZE WITH MOUNTING RING
- TWO BULB OPTIONS:
25° BEAM BULB (3000 CB CANDLE POWER)
40° BEAM BULB (1700 CB CANDLE POWER)
- 10 FEET OF 16/2 ELECTRICAL CABLE
- SAFETY SEAL DESIGN PREVENTS WATER INTRUSION IN THE EVENT OF GLASS BREAKAGE
- TERMINAL FOR BONDING WIRE
- INCLUDES GREEN & BLUE LENS FILTERS
- IGNITION PROTECTED



Easy Access for Bulb Changes

FIG. 0174

UNDERWATER LIGHTING

ORDERING INFO				TECH INFO	
			Ship Wt.	<ul style="list-style-type: none"> • 12 Volt, 50W, 4.1 Amps • 2 Bulb Options: 25° & 40° Beam • 800 Lumens • Lab Rated Bulb Life: 5000 Hrs** • Length Overall: 6-3/4" • Flange Dia.: 3-3/4" • Mounting Hole Dia.: 2-3/8" 	
Description	Bulb Beam	Dealer Pkg. 1 Pc. per Box	Carton Lbs. Dealer Pkg.		
Polished Brass	25° & 40°	0174DP3PLB*	5.0		
Chrome Plated	25° & 40°	0174DP3CHR*	5.0		
			Ship Wt.		
Description	Bulb Beam	OEM Bulk Pkg. 1 Pc. per Box	Carton Lbs. OEM Bulk		
Polished Brass	25°	0174003PLB	4.5		
Polished Brass	40°	0174004PLB	4.5		
Chrome Plated	25°	0174003CHR	4.5		
Chrome Plated	40°	0174004CHR	4.5		

SPARE PARTS ORDERING INFORMATION

12 Volt, 50 Watt, 25° Beam Bulb: 0077DP112V
 12 Volt, 50 Watt, 40° Beam Bulb: 0077DP212V
 Blue & Green Lens Filter Kit & 2 O-Rings: 0174DP099A
 Replacement Lens Kit (includes O-Ring): 0174DP1LNS
 24 Volt Bulb Options Available

IGNITION PROTECTED Power Relay for use with up to 4 lights:
 (12 volt) 0061DP1RLY or (24 volt) 0061DP2RLY



**FIG. 0061
IGNITION
PROTECTED
RELAY**



Fig. 0077 Halogen Bulbs
 50 Watt - 25° Beam
 50 Watt - 40° Beam

* Dealer Package includes both bulbs
 ** In Accordance with ANSI Standards

FIG. 0175 - SPACE SAVER THRU-HULL MOUNT UNDERWATER LIGHT

CONSTRUCTION:

- POLISHED OR CHROME PLATED BRONZE WITH MOUNTING RING
- 10 FEET OF 18/2 ELECTRICAL CABLE
- SAFETY SEAL DESIGN PREVENTS WATER INTRUSION IN THE EVENT OF GLASS BREAKAGE
- TERMINAL FOR BONDING WIRE
- INCLUDES GREEN & BLUE LENS FILTERS
- IGNITION PROTECTED

Color Lens Filters



Included in Package

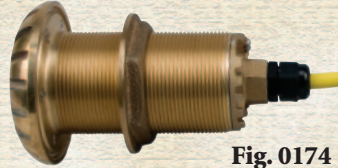
**Smaller
Space Saver
Version**



FIG. 0175



Proportional Relationship between Figs. 0174 & 0175

ORDERING INFO		TECH INFO	
Description	Dealer Pkg. 1 Pc. per Box	Ship Wt. Carton Lbs. Dealer Pkg.	<ul style="list-style-type: none"> • 12 Volt, 35W, 2.9 Amps • Bulb 30° Beam • 550 Lumens • Lab Rated Bulb Life: 3500 Hrs.* • Length Overall: 5-1/4" • Flange Dia.: 2-7/8" • Mounting Hole Dia.: 1-3/4"
Polished Brass	0175DP3PLB	2.3	
Chrome Plated	0175DP3CHR	2.3	
Description	OEM Bulk Pkg. 1 Pc. per Box	Ship Wt. Carton Lbs. OEM Bulk	
Polished Brass	0175003PLB	2.3	 <p>Fig. 0174 Mounting Hole Dia.: 2-3/8"</p>
Chrome Plated	0175003CHR	2.3	

SPARE PARTS ORDERING INFORMATION

12 Volt, 35 Watt, 30° Beam Bulb: 0080DP112V
 Blue & Green Lens Filter Kit & 2 O-Rings: 0175DP099A
 Replacement Lens Kit (includes O-Ring): 0175DP1LNS
 24 Volt Bulb Options Available



Fig. 0080 Halogen Bulb
35 Watt - 30° Beam

* In Accordance with ANSI Standards

UNDERWATER LIGHTING

STEALTH

L.E.D.'s



Fig. 0615

Fig. 0615 *STEALTH* SERIES HORIZONTAL MT. BI-COLOR LIGHT - CERTIFIED FOR USE ON POWER DRIVEN VESSELS UNDER 12 METERS (39.4 FT.) IN LENGTH

CONSTRUCTION:

- STAINLESS STEEL
- ULTRA LOW PROFILE

CERTIFICATION:

- USCG 1nm

ORDERING INFO

Vertical Height Inches	Dealer Pkg. 1 Card	OEM Bulk Pkg. 10 Pcs.	Ship Wt. Carton Lbs. DP/OEM Bulk
1/2	0615DP0STS	0615000STS	0.2/4.1

TECH INFO

- 12 Volt
- Length: 2-1/2"
- Width: 2-5/8"
- Screw Size: #8

Fig. 0616 *STEALTH* SERIES HORIZONTAL MT. SIDE LIGHT - CERTIFIED FOR USE ON POWER DRIVEN VESSELS UNDER 12 METERS (39.4 FT.) IN LENGTH

CONSTRUCTION:

- STAINLESS STEEL
- ULTRA LOW PROFILE

CERTIFICATION:

- USCG 1nm

ORDERING INFO

Vertical Height Inches	Dealer Pkg. 1 Pr. per Card	OEM Bulk Pkg. 10 Prs.	Ship Wt. Carton Lbs. DP/OEM Bulk
1/2	0616DP0STS	0616000STS	0.4/8.2

TECH INFO

- 12 Volt
- Length: 2-1/2"
- Width: 2-5/8"
- Screw Size: #8

Fig. 0617 *STEALTH* SERIES VERTICAL MT. SIDE LIGHT - CERTIFIED FOR USE ON POWER DRIVEN VESSELS UNDER 12 METERS (39.4 FT.) IN LENGTH

CONSTRUCTION:

- STAINLESS STEEL
- ULTRA LOW PROFILE

CERTIFICATION:

- USCG 1nm

ORDERING INFO

Projection Inches	Dealer Pkg. 1 Pr. per Card	OEM Bulk Pkg. 10 Prs.	Ship Wt. Carton Lbs. DP/OEM Bulk
1/2	0617DP0STS	0617000STS	0.4/8.2

TECH INFO

- 12 Volt
- Length: 2-1/2"
- Width: 2-5/8"
- Screw Size: #8

NAVIGATION LIGHTS FOR VESSELS UNDER 20M (65.6) FT. IN LENGTH

Ultra Low Profile



PROFILE VIEW

VERTICAL HT.
1/2"



NAVIGATION LIGHTS

**EZ Upgrade
to L.E.D.
Lighting**



CERTIFICATION:

- USCG 1nm

TECH INFO

- 12 Volt
 - Pole Rake: 0°
- 1616**
Locking Collar
Fits Bases: 1045 (2-Pin)
and 1047 (2-Pin)
- 1618**
Small Threaded Collar
Fits Base: 1049 (2-Pin)

**FIGS. 1616 & 1618 - *STEALTH* SERIES
REMOVABLE BI-COLOR POLE LIGHT
CERTIFIED FOR USE ON POWER DRIVEN VESSELS
UNDER 12 METERS (39.4 FT.) IN LENGTH**

CONSTRUCTION:

- STAINLESS STEEL TOP
- 3/4 INCH DIAMETER ANODIZED ALUMINUM TUBE
- STOW-A-WAY PLUG-IN TYPE POLE
- REQUIRES 2 PIN MOUNTING BASE

**Gold
Plated
Contacts**

L.E.D.'s

STEALTH



FIG. 1616

FIG. 1618

Compatible Bases (2 Pin)



ORDERING INFO

Pole Length Inches	Dealer Pkg. 1 Card 1 Pc. per Card	OEM Bulk Pkg. 25 Pcs.	Ship Wt. Carton Lbs. DP/OEM Bulk
12	1616DP2BLK	1616002BLK	0.4/10.0
17-3/8	1616DP3BLK	1616003BLK	0.5/10.9
12	1618DP2BLK	1618002BLK	0.4/10.2
17-3/8	1618DP3BLK	1618003BLK	0.5/10.9

STEALTH SERIES - UNIVERSAL REPLACEMENT REDUCED GLARE DESIGN WHITE ALL-ROUND LIGHTS

**FIGS. 1347 & 1349 - CERTIFIED FOR USE ON
POWER DRIVEN VESSELS UNDER 20 METERS (65.6 FT.) IN LENGTH**
A reduced glare globe preserves night vision while under way.
Adjustability of the globe allows for proper horizontal alignment
regardless of base configuration.

CONSTRUCTION:

- BLACK PLASTIC TOP WITH CLEAR FLUTED LENS
- 3/4 INCH DIAMETER ANODIZED ALUMINUM TUBE
- 2 COLLARS - THREADED AND LOCKING
- 2 SCREW POSITIONS
- WIDE 40° ADJUSTABLE HEAD
- GOLD PLATED CONTACTS



L.E.D.'s

**Wide 40° Head
Adjustability
(± 20°)**

CERTIFICATION:

- USCG 2nm

TECH INFO

- Head Adj.: 40° Adjustable
 - L.E.D.: 12 Volt
 - Pole: 3/4" Dia. Anodized
- Collar: Locking
Fits Bases:
1045, 1046, 1047
& 1060 (2 Pin)
- Collar: Large Threaded
Fits Base: 1048 (2 Pin)
- 1347 Straight Pole
1349 Fold in Half Pole

ORDERING INFO

Approx. Pole Length Inches	Dealer Pkg. 1 Pc. per Card	Ship Wt. Carton Lbs. Dealer Pkg.
Straight Pole		
36	1347DP4CHR	1.0
48	1347DP6CHR	1.2
Fold in Half Pole		
48	1349DP6CHR	1.5
60	1349DP8CHR	1.8



FIG. 1349
Fold in Half Pole

FIG. 1347

Compatible Bases (2 Pin)



**Gold
Plated
Contacts**

Note: *STEALTH* Series lights are designed to also fit most other manufacturers' bases.

STEALTH SERIES - REDUCED GLARE DESIGN

THESE LIGHTS ARE CERTIFIED FOR USE ON POWER DRIVEN VESSELS UNDER 20 METERS (65.6 FT.) IN LENGTH

The "Reduced Glare" design helps preserve night vision by reducing the amount of light wasted outside of the visibility zone and not attracting as many bugs.

CERTIFICATION:

- USCG 2nm

STEALTH

L.E.D.'s

CONSTRUCTION:

- STOW-A-WAY PLUG-IN POLE
- CLEAR FLUTED LENS
- BLACK PLASTIC TOP
- CONTEMPORARY STYLING



Gold Plated Contacts

NAVIGATION LIGHTS FOR VESSELS UNDER 20M (65.6) FT. IN LENGTH

STEALTH SERIES PLUG-IN POLE LIGHTS

	Approx. Length Inches	OEM Bulk Pkg. 25 Pcs.	Ship Wt. Carton Lbs. OEM Bulk Pkg.
FIG. 1442 LOCKING COLLAR 0° RAKE	24	1442002CHR	12.0
	30	1442003CHR	13.2
	36	1442004CHR	14.5
	42	1442005CHR	15.7
	48	1442006CHR	16.0
	54	1442007CHR	17.1
FIG. 1447 LOCKING COLLAR 5° RAKE	60	1442008CHR	18.6
	24	1447002CHR	11.5
	30	1447003CHR	13.2
	36	1447004CHR	16.7
	42	1447005CHR	17.5
	48	1447006CHR	18.7
54	1447007CHR	20.0	
60	1447008CHR	21.0	

TECH INFO

- Collar: Locking
- L.E.D.: 12 Volt
- Pole: 3/4" Dia. Anodized

1442
Pole Rake: 0°
Fits Bases: 1045 & 1047
(2 Pin)

1447
Pole Rake: 5°
Fits Bases: 1046 & 1060
(2 Pin)

STEALTH SERIES PLUG-IN POLE LIGHTS

	Approx. Length Inches	OEM Bulk Pkg. 25 Pcs.	Ship Wt. Carton Lbs. OEM Bulk Pkg.
FIG. 1624 LARGE THREADED COLLAR 5° RAKE	36	1624004CHR	15.1
	42	1624005CHR	15.3
	48	1624006CHR	17.0
	54	1624007CHR	17.3
	60	1624008CHR	18.6

TECH INFO

- Collar: Large Threaded
- L.E.D.: 12 Volt
- Pole: 3/4" Dia. Anodized

Fits Base: 1048 (2 Pin)

STEALTH SERIES PLUG-IN POLE LIGHTS

	Approx. Length Inches	OEM Bulk Pkg. 25 Pcs.	Ship Wt. Carton Lbs. OEM Bulk Pkg.
FIG. 1443 SMALL THREADED COLLAR 0° RAKE	36	1443004CHR	14.2
	42	1443005CHR	17.5
	48	1443006CHR	18.7
	54	1443007CHR	20.0
	60	1443008CHR	21.0

TECH INFO

- Collar: Small Threaded
- L.E.D.: 12 Volt
- Pole: 3/4" Dia. Anodized

Fits Base: 1049 (2 Pin)

STEALTH SERIES FOLD IN HALF POLE LIGHTS

	Approx. Length Inches	OEM Bulk Pkg. 25 Pcs.	Ship Wt. Carton Lbs. OEM Bulk Pkg.
FIG. 1454 LOCKING COLLAR 0° RAKE	54	1454007CHR	20.5
	60	1454008CHR	20.5
	54	1459007CHR	28.9
FIG. 1459 LOCKING COLLAR 5° RAKE	60	1459008CHR	28.9

TECH INFO

- Collar: Locking
- L.E.D.: 12 Volt
- Pole: 3/4" Dia. Anodized

1454
Pole Rake: 0°
Fits Bases: 1045 & 1047 (2 Pin)

1459
Pole Rake: 5°
Fits Bases: 1046 & 1060 (2 Pin)

Compatible Bases





FOLD DOWN WHITE ALL-ROUND LIGHTS

**EZ Upgrade
to L.E.D.
Lighting**



STEALTH SERIES

FIGS. 1636, 1639 & 1642

FOLD DOWN WHITE ALL-ROUND LIGHTS

CERTIFIED FOR USE ON SAIL OR POWER DRIVEN VESSELS
UNDER 20 METERS (65.6 FT.) IN LENGTH

FOR USE ON WINDSHIELDS, T-TOPS, RAILS, ARCHES AND HARD TOPS

FEATURES:

- PLASTIC ADAPTER AVAILABLE FOR FLAT OR "V" TYPE MOUNTS, CONTAINS NOTCH FOR THROUGH-BASE WIRING
- FOLD-DOWN, ADJUSTABLE ANGLE

FIGS. 1636 & 1639

- REDUCED GLARE DESIGN
- BLACK PLASTIC TOP WITH CLEAR FLUTED LENS & FROSTED GLOBE
- BLACK PLASTIC BASE



FIG. 1642

- REDUCED GLARE DESIGN
- BLACK PLASTIC TOP WITH CLEAR FLUTED LENS
- CHROME PLATED ZINC ALLOY BASE
- QUICK RELEASE LEVER
- GRADUATED ADJUSTABLE BASE
- DESIGNED FOR USE ON PONTOON BOAT SQUARE RAILS

ORDERING INFO

Vertical Height Inches	Dealer Pkg. 1 Card 1 Pc. per Card	OEM Bulk Pkg. 25 Pcs.	Ship Wt. Carton Lbs. DP/OEM Bulk
13-3/8	1636DP0CHR	1636000CHR	0.5/8.0
13-3/8	1639DP0CHR	1639000CHR	0.5/10.6
13-3/8	1642DP0CHR	1642000CHR	0.5/15.3

TECH INFO

- Screw Size: #8
 - L.E.D.: 12 Volt
 - Pole: 3/4" Dia. Anodized
- Base Dimensions:**
 1636: 2" x 1-1/2"
 1639: 2-1/4" x 5/8"
 1642: 2-1/4" x 5/8"

SPARE PARTS ORDERING INFORMATION

Plastic Spare Bracket with Knob and End Plug for Fig. 1636: 1052DPBBLK.
 Plastic Spare Bracket with Knob and End Plug for Fig. 1639: 1054DPBBLK.
 Replacement Bracket for Fig. 1642: 1058DP0CHR

CERTIFICATION:

- USCG 2nm



FIG. 1636

FIG. 1636
HORIZ. MOUNT

FIG. 1639
VERT. MOUNT

FIG. 1642
VERT. MOUNT

FIG. 1639

FIG. 1642

STEALTH SERIES

FIG. 1609 - TOWER/ARCH MOUNT FOLDING WHITE ALL-ROUND LIGHT

CERTIFIED FOR USE ON POWER DRIVEN VESSELS UNDER 20 METERS (65.6 FT.) IN LENGTH

FIG. 1609

TOWER/ARCH MOUNT FEATURES

CONSTRUCTION:

- REDUCED GLARE DESIGN
- BLACK PLASTIC TOP WITH CLEAR FLUTED LENS & FROSTED GLOBE
- FOLD-DOWN, ADJUSTABLE ANGLE
- BLACK PLASTIC BASE
- 360° All-Round Navigation Light in the up position for all nighttime boating or while at anchor
- A cockpit courtesy light in the down position while at the dock
- Forward and out of the way for daytime skiing or boarding

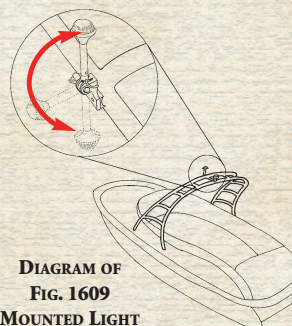


DIAGRAM OF
FIG. 1609
MOUNTED LIGHT

CERTIFICATION:

- USCG 2nm

ORDERING INFO

Vertical Height Inches	Dealer Pkg. 1 Card 1 Pc. per Card	OEM Bulk Pkg. 25 Pcs.	Ship Wt. Carton Lbs. DP/OEM Bulk
6-3/4	1609DP0CHR	1609000CHR	0.8/14.6

TECH INFO

- L.E.D.: 12 Volt
- Pole: 3/4" Dia. Anodized
- Screw Size: #8

Base Dimensions:
 2" x 1-1/2"

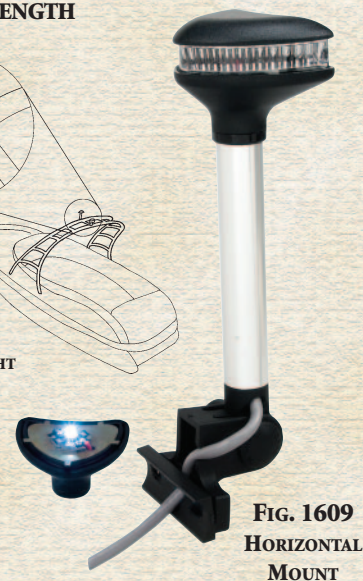


FIG. 1609
HORIZONTAL MOUNT

CERTIFICATION:

- USCG 2nm

STEALTH SERIES

**FIG. 1608 FIXED MOUNT WHITE ALL-ROUND LIGHTS
CERTIFIED FOR USE ON POWER DRIVEN VESSELS
UNDER 20 METERS (65.6 FT.) IN LENGTH**



FIG. 1608 #0



FIG. 1608 #1

CONSTRUCTION:

“REDUCED GLARE” DESIGN

- BLACK PLASTIC TOP WITH CLEAR FLUTED LENS
- FIXED MOUNT BLACK PLASTIC BASE

ORDERING INFO

Vertical Height Inches	Dealer Pkg. 1 Pc. per Card	Ship Wt. OEM Bulk Pkg. 25 Pcs.	Carton Lbs. DP/OEM Bulk
7-1/8	1608DP0BLK	1608000BLK	0.4/6.2
2-5/8	1608DP1BLK	1608001BLK	0.2/3.5

TECH INFO

- L.E.D.: 12 Volt
- Pole: 3/4” Dia. Anodized
- Screw Size: #8

Base Dimensions:
1” x 2-5/8”

CERTIFICATION:

- USCG 2nm

**FIG. 1344 L.E.D. WHITE ALL-ROUND LIGHT - CERTIFIED FOR USE ON
SAIL OR POWER DRIVEN VESSELS UNDER 20 METERS (65.6 FT.) IN LENGTH**

**FIG. 1345 L.E.D. WHITE ALL-ROUND LIGHT - CERTIFIED FOR USE ON
POWER DRIVEN VESSELS UNDER 20 METERS (65.6 FT.) IN LENGTH**



FIG. 1345



FIG. 1344

CONSTRUCTION:

- “REDUCED GLARE” DESIGN
- WHITE PLASTIC TOP WITH CLEAR FLUTED LENS & FROSTED GLOBE
- FIXED MOUNT WHITE PLASTIC BASE

L.E.D. FEATURES

- USES LESS THAN HALF THE ENERGY DRAW OF STANDARD LIGHTS
- LOW HEAT
- LONG LIFE



ORDERING INFO

Vertical Height Inches	Dealer Pkg. 1 Pc. per Card	OEM Bulk Pkg. 1 Pc.	Ship Wt. Carton Lbs. DP/OEM Bulk
7-7/8	1344DP1WHT	1344001WHT	0.6/0.6
7-1/8	1345DP1WHT	1345001WHT	0.6/0.6

TECH INFO

- L.E.D.: 12 Volt
- Pole: 3/4” Dia. Anodized
- Screw Size: #8

Base Dimensions:
1” x 2-5/8”

NAVIGATION LIGHTS FOR VESSELS UNDER 20M (65.6) FT. IN LENGTH

FIG. 0391 HEAVY DUTY POLE LIGHT BASE
FOR USE WITH 7/8" DIA. HEAVY DUTY POLE LIGHTS

Fits 7/8" Dia. Poles

CONSTRUCTION:

- MARINIUM ALLOY
- BLACK RUBBER CAP RETAINER & GASKET



FIG. 0391

ORDERING INFO		
Dealer Pkg. 5 Cards 1 Pc. per Card	OEM Bulk Pkg. 10 Pcs.	Ship Wt. Carton Lbs. DP/OEM Bulk
0391DP0MAR	0391000MAR	1.4/3.0

TECH INFO
<ul style="list-style-type: none"> • 12 Volt • Pole Rake: 0° • O.D. Base: 2-3/8" • Screw Size: #8 • Fits 7/8" Pole with Threaded Collar

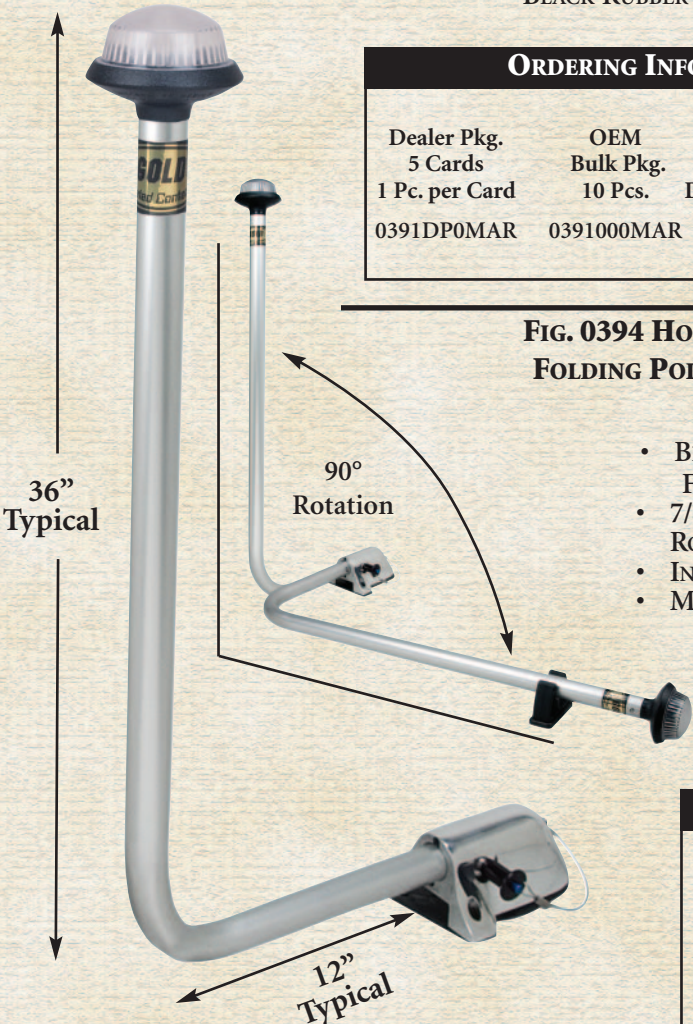


FIG. 0394 HORIZONTAL MOUNT HEAVY DUTY FOLDING POLE LIGHT AND MOUNTING BASE

CONSTRUCTION:

- BLACK PLASTIC TOP WITH CLEAR FLUTED LENS & FROSTED GLOBE
- 7/8" DIAMETER HEAVY DUTY ALUMINUM POLE ROTATES 90° IN BOTH DIRECTIONS
- INCLUDES FIG. 0477 POLE CLIP
- MARINIUM ALLOY BASE & RUBBER GASKET

Custom Pole Configurations Available

CERTIFICATION:

- USCG 2nm



FIG. 0394 BASE

ORDERING INFO		
Vertical Height Inches	OEM Bulk Pkg. 1 Pc.	Ship Wt. Carton Lbs. OEM Bulk
36	0394000MAR	1.6

TECH INFO
<ul style="list-style-type: none"> • 12 Volt • Pole Rake: 0° • Base Dimensions: 3-1/16" x 4-1/2" • Projection: 2-3/16" • Screw Size: #10

FIG. 0392 VERTICAL MOUNT HEAVY DUTY POLE LIGHT BASE

FIG. 0393 VERTICAL MOUNT HEAVY DUTY POLE LIGHT BASE

FOR USE WITH 7/8" DIA. HEAVY DUTY POLE LIGHTS WITH THREADED COLLAR

Fits 7/8" Dia. Poles

CONSTRUCTION:

- MARINIUM ALLOY
- BLACK RUBBER CAP RETAINER & GASKET

FIG. 0393



FIG. 0392

ORDERING INFO		
Projection Inches	OEM Bulk Pkg. 1 Pc.	Ship Wt. Carton Lbs. OEM Bulk
2-3/16	0392000MAR	1.6
2-3/16	0393000MAR	1.6

TECH INFO
<ul style="list-style-type: none"> • 12 Volt • Pole Rake: 0° • Fig. 0392 Base Dimensions: 3-1/16" x 3-3/8" • Fig. 0393 Base Dimensions: 3-1/16" x 4-1/2" • Screw Size: #10

**3/4" DIA. POWDER
COAT POLES
UP TO 72"**



**3/4" DIA. BLACK,
WHITE OR CAMO
ALUMINUM POLES
UP TO 72"**

**SPECIAL LENGTHS
AND CUSTOM BENDS**



**GOLD PLATED
CONTACTS**

**3/4"
STAINLESS
STEEL
POLES**

**Two Piece
Pole**

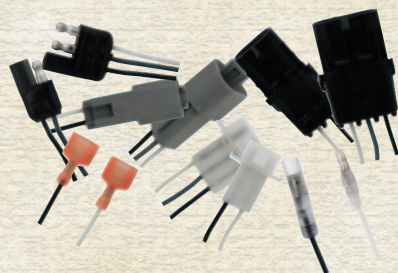
Top
Section
3/4" Dia.
Heavy Duty
Pole



Bottom
Section
7/8" Dia.
Heavy Duty
Pole

**7/8" DIA.
ALUMINUM
POLES UP TO
108"**

CUSTOM CONNECTORS AVAILABLE



PIGTAIL LEADS STANDARD



SPECIAL LIGHTS

NAVIGATION LIGHTS FOR VESSELS UNDER 20M (65.6) FT. IN LENGTH

FIG. 1355 - SURFACE MOUNT L.E.D. DOME LIGHT WITHOUT ON/OFF SWITCH

FIG. 1356 - SURFACE MOUNT L.E.D. DOME LIGHT WITH ON/OFF SWITCH

FIG. 1357 - SURFACE MOUNT L.E.D. DOME LIGHT WITH TRIM RING

FIG. 1358 - SURFACE MOUNT L.E.D. DOME LIGHT WITH DIMMER SWITCH

CONSTRUCTION:

- CHROME PLATED ZINC ALLOY OR WHITE POWDER COAT
- CLEAR PLASTIC GLOBE
- 12 VOLT L.E.D.S DRAW LESS THAN 10 WATTS
- SCREW SIZE NO. 8 R.H.
- DEPTH OVERALL 1"



FIG. 1355
WITHOUT SWITCH
(WHITE SHOWN)



FIG. 1356
WITH ON/OFF SWITCH
(CHROME SHOWN)



FIG. 1357
WITH TRIM RING
(WHITE SHOWN)



FIG. 1358
WITH DIMMER SWITCH
(CHROME SHOWN)

ORDERING & TECH INFO

Description	Dimmer Capable	L.E.D.s & Wattage	Dimensions O.D. Inches	Dealer Pkg. 5 Cards 1 Pc. per Card	OEM Bulk Pkg. 10 Pcs.	Ship Wt. Carton Lbs. DP/OEM Bulk
Chrome Plated No Switch	w/Wall Switch*	3-3 Watt	3-5/8	1355DP0CHR	1355000CHR	3.0/5.1
White Powder Coat No Switch	w/Wall Switch*	3-3 Watt	3-5/8	1355DP0WHT	1355000WHT	3.0/5.1
Chrome Plated On/Off Switch	w/Wall Switch*	3-3 Watt	3-5/8	1356DP0CHR	1356000CHR	3.0/5.1
White Powder Coat On/Off Switch	w/Wall Switch*	3-3 Watt	3-5/8	1356DP0WHT	1356000WHT	3.0/5.1
Chrome Plated with Trim Ring	w/Wall Switch*	3-3 Watt	4-1/2	1357DP0CHR	1357000CHR	3.0/5.1
White Powder Coat with Trim Ring	w/Wall Switch*	3-3 Watt	4-1/2	1357DP0WHT	1357000WHT	3.0/5.1
Chrome Plated with Dimmer Switch	Built in	3-1 Watt	3-5/8	1358DP0CHR	1358000CHR	3.0/5.1
White Powder Coat with Dimmer Switch	Built in	3-1 Watt	3-5/8	1358DP0WHT	1358000WHT	3.0/5.1

* Note: Wall switch not included

FIG. 1157 - SURFACE MOUNT L.E.D. DOME LIGHT

CONSTRUCTION:

- CHROME PLATED BRASS OR WHITE POWDER COAT
- CLEAR PLASTIC GLOBE
- 12 VOLT L.E.D.S DRAW LESS THAN 4 WATTS
- DIMMER CAPABLE WITH EXTERNAL SWITCH



FIG. 1157
(WHITE SHOWN)

ORDERING INFO

Finish	Dealer Pkg. 5 Cards 1 Pc. per Card	OEM Bulk Package 10 Pcs.	Ship Wt. Carton Lbs. DP/OEM Bulk
Chrome	1157DP1CHR	1157001CHR	2.5/5.0
White	1157DP1WHT	1157001WHT	2.5/5.0

TECH INFO

- 12 Volt
- Three 1 Watt L.E.D.s
- O.D. Overall: 3-1/8"
- Depth: 1"
- Installs in 2-1/8" Dia. Hole
- Screw Size: #8



Please contact the factory for availability of devices for applications that require a Multiple Light Wall Dimmer Switch for the lights listed on this page.



FIG. 0202 - L.E.D. STRAIGHT DOCKING LIGHT

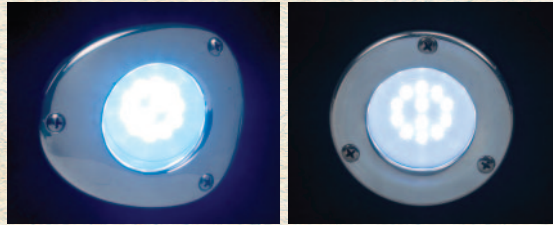
FIG. 0203 - L.E.D. ANGLED DOCKING LIGHT

CONSTRUCTION:

- MARINIUM ALLOY OR CHROME PLATED BRONZE
- ANGLED OR STRAIGHT LIGHT DIRECTION
- LOW DRAW, LONG LIFE L.E.D. LIGHTING
- 12 VOLT L.E.D.



**FIG. 0203
ANGLED**



**FIG. 0202
STRAIGHT**

ORDERING INFO

Light Direction	Material	Projection Inches	Dealer Pkg. 1 Pr. per Pkg.	OEM Bulk Pkg. 5 Prs.	Ship Wt. Carton Lbs. DP/OEM Bulk
Straight	Chr. Bronze	1/2	0202DP0CHR	0202000CHR	1.2/5.5
Straight	Marinium	1/2	0202DP0MAR	0202000MAR	1.2/5.5
Angled	Chr. Bronze	1/2	0203DP0CHR	0203000CHR	1.2/5.5
Angled	Marinium	1/2	0203DP0MAR	0203000MAR	1.2/5.5

TECH INFO

- 12 Volt, 4.5W
 - L.E.D. Beam: 15°
 - Lab Rated L.E.D. Life: 50,000 Hrs
 - Screw Size: #8
- Dimensions:**
 Angled: 4-1/8" x 3-3/8"
 Straight: 3-1/8" O.D.

LIGHTING FIXTURES

FIG. 0606 - WHITE L.E.D. UTILITY LIGHT

FIG. 0607 - WHITE & RED L.E.D. UTILITY LIGHT



CONSTRUCTION:

- CHROME PLATED BRASS FRAME
- LOW DRAW, LONG LIFE L.E.D. LIGHTING
- 12 VOLT L.E.D.



**FIG. 0606
WHITE**



**FIG. 0607
WHITE/RED**

ORDERING INFO

L.E.D. Color	Dealer Pkg. 1 Card 1 Pc. per Card	OEM Bulk Pkg. 10 Pcs.	Screw Size	Ship Wt. Carton Lbs. DP/OEM Bulk
White	0606DP0CHR	0606000CHR	8	0.7/7.0
White/Red	0607DP0CHR	0607000CHR	8	0.7/7.0

TECH INFO

- L.E.D.: 12 Volt, 4W
 - Lab Rated L.E.D. Life: 50,000 Hrs.
- Base Dimensions:**
 7-1/4" x 1-1/2"

FIG. 0372 - L.E.D. RAIL OR SURFACE MOUNT SPREADER LIGHT

FIG. 0378 - L.E.D. FLUSH MOUNT SPREADER LIGHT

CONSTRUCTION:

- BRUSHED MARINIUM ALLOY OR WHITE POWDER COAT FINISH
- LOW DRAW, LONG LIFE L.E.D. LIGHTING
- 12 VOLT L.E.D.



**RAIL OR SURFACE MOUNT
WITH ROTATING BRACKET**

FLUSH MOUNT



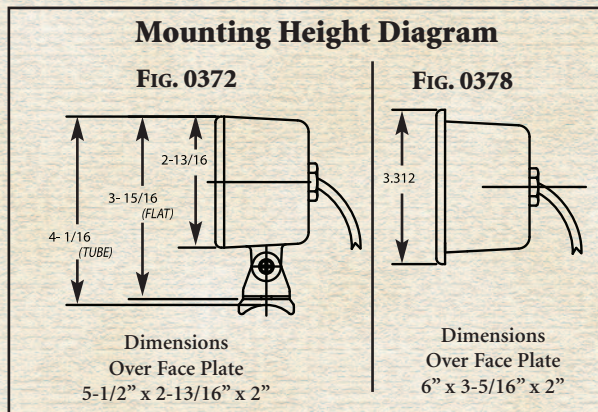
FIG. 0378



FIG. 0372



FIG. 0378 (BACK)



ORDERING INFO				
Finish	Style	Dealer Pkg. 1 Pc. per Card	OEM Bulk Pkg. 1 Pc.	Ship Wt. Carton Lbs. DP/OEM Bulk
Plain Marinium	Surface Mt.	0372DP0MAR	0372000MAR	2.5/2.5
Plain Marinium	Flush Mt.	0378DP0MAR	0378000MAR	2.6/2.6
White Marinium	Surface Mt.	0372DP0WHT	0372000WHT	2.5/2.5
White Marinium	Flush Mt.	0378DP0WHT	0378000WHT	2.6/2.6

TECH INFO
• 12 Volt, 9W
• L.E.D. Beam: 15°
• Lab Rated L.E.D. Life: 50,000 Hrs.
• Screw Size: #8
Dimensions (LxWxD): 5-1/2" x 2-13/16" x 2"
Ht. from Rail Mt.: 4-1/16"
Ht. from Surface Mt.: 3-15/16"
See Diagram

LIGHTING FIXTURES

FIG. 1085 - SURFACE MOUNT LOCK
FOR SMOOTH AND CARPETED SURFACES
 (GASKET INCLUDED FOR SMOOTH SURFACE APPLICATIONS)

CONSTRUCTION:

- BLACK, WHITE OR GRAY PLASTIC BODY
- CHROME PLATED ZINC ALLOY "T" HANDLE
- STAINLESS STEEL STEM
- FACE PLATE DIAMETER 3"

- No. 1 with Offset Cam Bar
- No. 3 with Straight Cam Bar
- No. 4 with Extra Long Offset Cam Bar
- No. 5 with Extra Long Straight Cam Bar
- No. 6 with Extra Long Offset Cam Bar

Easily Installs in a 2-1/2 Inch Diameter Hole
 For Mounting Surfaces 1/8 to 3/4 of an Inch Thick

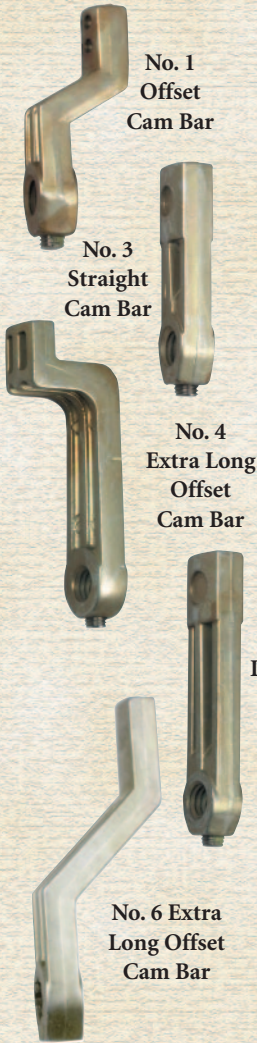


FIG. 1085 #1
BLK/CHR

THE T - HANDLE DROPS DOWN FLUSH IN EITHER THE OPEN OR CLOSED (180° ROTATION) POSITION
 (EXCEPT WITH THE OFFSET CAM BAR POSITIONED UPWARD)

ORDERING & TECH INFO

Body Color	Adjustment Cam Bar Inches	OEM Bulk Pkg. 25 Pcs.	Dealer Pkg.- 5 Cards 1 Pc. per Card	Ship Wt. Carton Lbs. OEM Bulk/DP
Black	3/4 to 2-3/8	1085001BLK	1085DP1BLK	15.3/3.9
Black	1-1/4 to 1-7/8	1085003BLK	1085DP3BLK	15.7/4.0
Black	1/2 to 3	1085004BLK	1085DP4BLK	17.0/4.2
Black	1-1/4 to 2	1085005BLK	1085DP5BLK	17.4/4.0
Black	1-1/8 to 2	1085006BLK	1085DP6BLK	17.4/4.1
White	3/4 to 2-3/8	1085001WHT	1085DP1WHT	15.2/4.0
White	1-1/4 to 1-7/8	1085003WHT	1085DP3WHT	15.5/4.0
White	1/2 to 3	1085004WHT	1085DP4WHT	17.4/4.2
White	1-1/4 to 2	1085005WHT	1085DP5WHT	17.4/4.0
White	1-1/8 to 2	1085006WHT	1085DP6WHT	17.4/4.1
Gray	3/4 to 2-3/8	1085001GRY	-----	12.8/--
Gray	1-1/4 to 1-7/8	1085003GRY	-----	13.8/--
Gray	1/2 to 3	1085004GRY	-----	14.9/--
Gray	1-1/4 to 2	1085005GRY	-----	14.9/--
Gray	1-1/8 to 2	1085006GRY	-----	14.9/--

SPARE PARTS ORDERING INFORMATION

Old Style Square Shaft Cam Bars
 Offset Cam Bar: 109100199A
 Straight Cam Bar: 109100399A
 Extra Long Offset Cam Bar: 109100499A
 Extra Long Straight Cam Bar: 109100599A

Threaded Shaft Cam Bars
 Offset Cam Bar: 109100188A
 Straight Cam Bar: 109100388A
 Extra Long Offset Cam Bar: 109100488A
 Extra Long Straight Cam Bar: 109100588A
 Extra Long Offset Cam Bar: 109100688A

LOCK AND LATCH SETS



COMPACT MAIN BATTERY SELECTOR & DISCONNECT SWITCHES



IGNITION PROTECTED

PROTECTED BY THE FOLLOWING U.S. PATENTS; DESIGN 260,637 - 4,280,028 - 4,424,424
FOR USE WITH 12, 24 AND 32 VOLT MARINE ELECTRICAL SYSTEMS
HIGHER CAPACITY - 315 AMPS CONTINUOUS, 450 AMPS INTERMITTENT

SAME BOLT PATTERNS AS POPULAR 8500 SERIES
SMOOTH, POSITIVE POSITION SELECTOR

FIG. 8511 - COMPACT BATTERY SELECTOR SWITCH

FIG. 8512 - COMPACT BATTERY SELECTOR SWITCH WITH KEY LOCK



FIG. 8511



FIG. 8512

CERTIFICATIONS:

- UL Listed Std. 1107
- CE



Surface Mounting
Trim Ring
Available

ORDERING & TECH INFO

	Dealer Pkg. 5 Pcs. 1 Pc. per Pkg.	OEM Bulk Pkg. 25 Pcs.	Diameter Inches	Depth Inches	Ship Wt. Carton Lbs. DP/OEM Bulk	Alternator Field Disconnect
w/o Key Lock	8511DP	8511	4-3/4	1-7/8	4.9/21.9	No
Key Lock	8512DP	8512	4-3/4	1-7/8	5.2/23.1	No

IGNITION PROTECTED

PROTECTED BY THE FOLLOWING U.S. PATENTS; DESIGN 260,637 - 4,280,028 - 4,424,424
FOR USE WITH 12, 24 AND 32 VOLT MARINE ELECTRICAL SYSTEMS
HIGHER CAPACITY - 315 AMPS CONTINUOUS, 450 AMPS INTERMITTENT

SAME BOLT PATTERNS AS POPULAR 9600 SERIES
SMOOTH, POSITIVE POSITION SELECTOR

FIG. 9611 - COMPACT MAIN BATTERY DISCONNECT SWITCH

FIG. 9612 - COMPACT MAIN BATTERY DISCONNECT SWITCH WITH KEY LOCK



FIG. 9611



FIG. 9612

CERTIFICATIONS:

- UL Listed Std. 1107
- CE

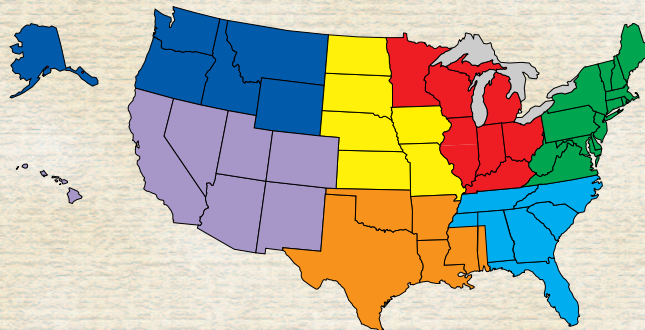


Surface Mounting
Trim Ring
Available

ORDERING & TECH INFO

	Dealer Pkg. 5 Pcs. 1 Pc. per Pkg.	OEM Bulk Pkg. 25 Pcs.	Diameter Inches	Depth Inches	Ship Wt. Carton Lbs. DP/OEM Bulk	Alternator Field Disconnect
w/o Key Lock	9611DP	9611	4-3/4	1-7/8	4.6/20.0	No
Key Lock	9612DP	9612	4-3/4	1-7/8	4.8/21.5	No

BATTERY SWITCHES



UNITED STATES & CANADA

NORTHEAST

NH, VT, NO. MASS, UPSTATE NY, COASTAL ME
CGW Associates
P.O. Box 414, 354 Country Way
Scituate, MA 02066
Phone: 781-545-3790 Fax: 781-545-0359
E-Mail: CGWCO@aol.com, Cell: 617-480-6559
CHARLES W. O'CONNOR

LONG ISLAND NY, SO. MASS., RI, NO, NJ
CGW Associates
137 Brandt Island Road
Mattapoisett, MA 02739
Phone: 508-758-2980 Fax: 508-758-9705
E-Mail: CGWVO@aol.com, Cell: 617-513-5152
WAYNE OLIVIERA

MD, VA, SO. NJ, DE, PA
CGW Associates
1070 Ulmstead Circle, Arnold, MD 21012
Phone: 410-757-9630 Fax: 410-757-4365
E-Mail: KWCGW@aol.com, Cell: 410-808-3048
KEVIN WILLIAMS

CENT. ME, NO. MASS, PRINCE EDWARD ISLAND, NEW
FOUNDLAND, NOVA SCOTIA & NEW BRUNSWICK
CGW Associates
4 King Street Ct., Rockport, MA 01966
Phone: 978-546-2085 Fax: 978-546-5820
E-Mail: CGWJH@aol.com, Cell: 617-480-8447
JACK HOGAN

ONTARIO, MANITOBA & QUEBEC CANADA
CGW Associates
220 Pine Street, Gauanoque, ON Canada K7G1C8
Phone: 705-790-7686 Fax: 613-382-4964
E-Mail: davealford@rogers.com, Cell: 705-790-7686
DAVE ALFORD

SOUTHEAST

NC
The Gartner Group
3313 Highway 70 East, New Bern, NC 28560
Phone: 252-633-1210 Fax: 252-633-1692
E-Mail: ken@thegartnergroup.com, Cell: 252-633-1692
E-Mail: bill@thegartnergroup.com
KEN WILLIAMS &
BILL THOMPSON (OFFICE MANAGER)

The Gartner Group
3313 Highway 70 East, New Bern, NC 28560
Phone: 252-633-1210 Fax: 252-633-1692
E-Mail: trey@thegartnergroup.com, Cell: 252-675-1764
TREY BRADLEY

SC, EASTERN GA
The Gartner Group
1551 Ben Sawyer Blvd. Bldg 5D, Mt. Pleasant, SC 29464
Phone: 843-849-7466 Fax: 843-849-7468
E-Mail: doug@thegartnergroup.com, Cell: 843-469-3951
DOUG PETERSEN

TN, AL & MS
The Gartner Group
Mac-Hugh & Associates
9411 Raven Hollow Rd, Brentwood, TN 37027
Phone: 615-370-4132 Fax: 615-373-3867
E-Mail: bob@thegartnergroup.com, Cell: 615-584-0492
ROBERT TAYLOR

PANHANDLE, NORTHWESTERN & CENTRAL
FLORIDA
The Gartner Group
3345 Park Grove Ct., Longwood, FL 32779
Phone: 407-333-1407 Fax: 407-805-9305
E-Mail: tripp@thegartnergroup.com, Cell: 407-620-7506
TRIPP HAMMACK
SOUTHERN FLORIDA

The Gartner Group
1779 N.E. 39th Court #1104/P.O. Box 50227
Pompano Beach, FL 33064
Phone: 954-781-4303 Fax: 954-781-4412
E-Mail: jay@thegartnergroup.com, Cell: 954-494-4496
JAY BARNES

MIDWEST 1

MO, IA, ND, SD & NE
Midwestern Sales Co., Inc.
9849 Briar Drive, Overland Park, KS 66207
Phone: 913-649-1270 Fax: 913-648-2885
E-Mail: dwills@mwsinc.net, Cell: 913-645-3325
DENNIS WILLIS

KS & SOUTHERN MO
Midwestern Sales Co., Inc.
3444 S. Fort Avenue, Springfield, MO 65807
Phone: 417-889-3881 Fax: 417-887-3017
E-Mail: kmitchell@mwsinc.net, Cell: 417-631-1860
KORY MITCHELL

MIDWEST 2

MN & WI
Inland Marketing Associates, Inc.
384 Alexander CT, Shakopee, MN 55379
Phone: 952-496-3256 Fax: 866-359-0436
E-Mail: tallen@imarep.com, Cell: 952-270-1782
TIM ALLEN

IL, IN & KY
Inland Marketing Associates, Inc.
1071 Highland Ct./P.O. Box 414, Plymouth, IN 46563
Phone: 574-936-6972 Fax: 574-936-8248
E-Mail: eddiek@imarep.com, Cell: 574-540-3057
ED KUYKENDALL

MI & OH
Inland Marketing Associates, Inc.
500 S. Washington Suite 11, Royal Oak, MI 48067
Phone: 248-541-4404 Fax: 248-541-4405
E-Mail: bill@imarep.com, Cell: 248-766-0488
R. WILLIAM BURT

SOUTH CENTRAL

SOUTH CENTRAL TX, OK, AR
MAC-HUGH & Associates, Inc.
P.O. Box 383, LaPorte, TX 77572
Phone: 281-470-1872 Fax: 286-639-4599
E-Mail: mchugh12@bellsouth.net, Cell: 281-639-4599
HUGH W. MÜLHOLLAND

LA, WESTERN AL, SOUTHERN MS & S.E. AR,
MAC-HUGH & Associates, Inc.
5540A Pepsi Street, Harahan, LA 70123
Phone: 504-734-9411 Fax: 504-734-5144
E-Mail: mchugh12@bellsouth.net, Cell: 504-494-4479
KYLE MCHUGH, BUZZ HUMPHREY,
DAVID HILDRETH, GARRETT MCHUGH &
KYLE MICHAEL MCHUGH, JR.

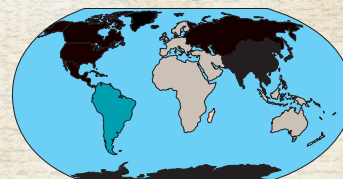
WEST

CA, NV, UT, CO, AZ, NM & HI
Pacific Marine Marketing, Inc.
3368 McGraw Lane, Lafayette, CA 94549
Phone: 925-284-4855 Fax: 925-284-4856
E-Mail: w.moosers@comcast.net, Cell: 925-788-5628
WAYNE R. MOOERS

NORTHWEST

ALBERTA, AK, BRITISH COLUMBIA, ID, MT,
OR, WA, WY
West-Line Marine Sales Co.
Mail: P.O. Box 1564, Lake Oswego, OR 97035
Shipping: 16598 72nd Ave., Portland, OR 97224
Phone: 503-639-5275 Fax: 503-684-6399
E-Mail: westline@verizon.net, Cell: 503-781-1835
BILL PASCHALL

West-Line Marine Sales Co.
P.O. Box 3369, Redmond, WA 98073
14227 NE 63rd Ct., Redmond, WA 98052
Phone: 425-883-4115 Fax: 425-885-1695
E-Mail: jawede@msn.com, Cell: 425-985-1620
JOHN WEDEBERG



INTERNATIONAL 1

EUROPE, SO. EAST ASIA, AFRICA, MIDDLE EAST &
AUSTRALIA
GTC Worldwide, Inc.
Head Office
256 Post Rd. East, Suite 205
Westport, CT 06880
Phone: 203-226-9697 Fax: 203-226-9935
E-Mail: sales@gtcworldwide.com
DANIEL J. LYONS & DANILO CAMPOS

GTC Worldwide, Inc.
Northern European Office
22 The Stables, Cairnburn Gardens
Belfast, N. Ireland BT4 2HY
Phone: 44.79.6877.0843 Fax: 44.28.9087.5309
E-Mail: pharding@gtcworldwide.com
PAUL HARDING

GTC Worldwide, Inc.
Southern European Office
Via G. Cimabue, 1, 20052 Monza (MI) Italy
Phone: 39.3385056390 Fax: 39.2849487
E-Mail: gscarpino@gtcworldwide.com
GIUSEPPE SCARPINO

GTC Worldwide, Inc.
Middle East Office
P.O. Box 61286 Jebel Ali Free Zone
Dubai, U.A.E.
Phone: 971.4.8813.167 Fax: 971.4.8813.168
E-Mail: hyusuf@gtcworldwide.com
HAKIM M. YUSUF

GTC Worldwide, Inc.
Florida Office
7812 N.W. 54th St., Miami, FL 33166
Phone: 305-593-5535 Fax: 305-593-5529
E-Mail: oscarras@gtcworldwide.com
OSCAR SOCARRAS

INTERNATIONAL 2

BERMUDA, MEXICO, CENTRAL &
SOUTH AMERICA & THE CARIBBEAN
E&P Marine Inc.
2425 N.W. 33rd Ave., Miami, FL 33142
Phone: 305-634-6110 Fax: 305-634-1191
E-Mail: epmarine@navalex.com
PEDRO L. RODRIGUEZ, MIGUEL A. VASALLO,
LARRY CORREA, LILLY DIAZ

For Information on all Export & Foreign
Regions Contact: Jose Massana at Perko, Inc.

WE ARE MEMBERS OF THE FOLLOWING ASSOCIATIONS:



National Marine
Manufacturers Association



American Boat & Yacht
Council, Inc.
Charter Member



Marine Retailers
Association of America



National Marine Representa-
tives Association



National Marine Distributors As-
sociation



Marine Industries Association
of South Florida

Manufacturer of Marine Lights, Hardware and Accessories

Street Address:

16490 Northwest 13th Avenue
Miami, Florida 33169-5707

Telephone Number: (305) 621-7525
Fax Number: (305) 620-9978

Mailing Address:

P.O. Box 64000D
Miami, Florida 33164-0510

e-mail: sales@perko.com
Website: www.perko.com





We Make it Right, Right Here!!



Manufacturer of Marine Lights, Hardware and Accessories