

Fill Limit Valves (FLV)

- FLVs are used to establish ullage (airspace) in the tank and help prevent overfilling.
- Perko FLVs connect to 5/8" hose. They are designed to vent to vented fuel fills and not directly to canisters.
- Mounting options for tank mounted FLV's include flanged (for plastic tanks), threaded, welded and swivel (for metal tanks).
- Swivel valves include valve, valve housing, o-ring, snap ring and tank insert.
- Distant sensing (DFLV) versions are available for both plastic and metal tanks on a custom basis.
- Custom ullage set points are available. Contact the factory for details.

Technical Information

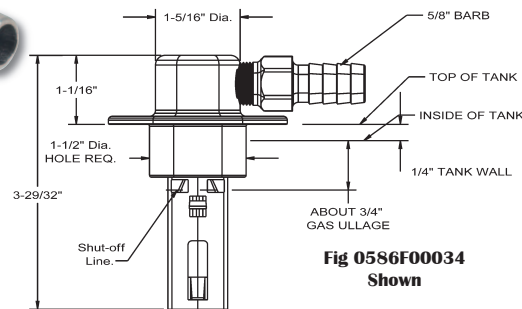
- For use on plastic or aluminum tanks
- Hose Connection - 5/8"
- Flow > 70 l/min @ 0.25 kPa.
- Flow without corking > 130 l/min.
- Minimum reopening pressure: 0.5 kPa



Fig. 0586F00 Flanged Fill Limit Valve (FLV)

CONSTRUCTION:

- Machined Aluminum
- Blue Polymer Valve
- Standard ullage depths range from 3/8" to 1-1/2"
- Matches the SAE 5-bolt level sender flange
- Gasket is not included
- For mounting on aluminum or plastic tanks



Technical Information

Catalog No.	Length Inches	Width Inches	Projection Inches	Ullage Depth Inches	Hose Connection Inches	Bolt Circle Inches	Mounting Hole Dia. Inches
0586F00038	3-17/32	2-3/4	1-1/16	3/8	5/8	2-1/8	1-1/2
0586F00012	3-21/32	2-3/4	1-1/16	1/2	5/8	2-1/8	1-1/2
0586F00034	3-29/32	2-3/4	1-1/16	3/4	5/8	2-1/8	1-1/2
0586F00118	4-9/32	2-3/4	1-1/16	1-1/8	5/8	2-1/8	1-1/2
0586F00112	4-21/32	2-3/4	1-1/16	1-1/2	5/8	2-1/8	1-1/2

Ordering Information - OEM Bulk Pkg. 10 Pcs.

Catalog No.	Style	Ullage Depth Inches*	Collar	For Use on Tank Type	Angle Port	Fire Test Capable	Shipping Weight Lbs.
0586F00038	Flanged	3/8	No	Plastic or Alum	90°	Yes	3.5
0586F00012	Flanged	1/2	No	Plastic or Alum	90°	Yes	3.5
0586F00034	Flanged	3/4	No	Plastic or Alum	90°	Yes	3.8
0586F00118	Flanged	1-1/8	No	Plastic or Alum	90°	Yes	4.4
0588F00112	Flanged	1-1/2	No	Plastic or Alum	90°	Yes	4.8

*Note: Longer shut-off heights in 1/2" increments are generally available up to 5-1/2". For custom heights, contact the factory.



Fig. 0586T00 NPTF Threaded Fill Limit Valve (FLV)

CONSTRUCTION:

- Machined aluminum
- Blue polymer valve
- Standard ullage depths range from 3/8" to 1-1/2"
- For mounting on aluminum tanks
- See page E-10 for more FLV information



Technical Information

Catalog No.	Length Inches	Width Inches	Projection Inches	Ullage Depth Inches*	Hose Connection Inches	Mounting Hole Dia. Inches
0586T00038	3-31/32	1-5/16	1-1/4	3/8	5/8	1" NPTF
0586T00034	4-11/32	1-5/16	1-1/4	3/4	5/8	1" NPTF
0586T00118	4-23/32	1-5/16	1-1/4	1-1/8	5/8	1" NPTF
0586T00112	5-3/32	1-5/16	1-1/4	1-1/2	5/8	1" NPTF

Ordering Information - OEM Bulk Pkg. 10 Pcs.

Catalog No.	Style	Ullage Depth Inches	Collar	For Use on Tank Type	Angle Port	Fire Test Capable	Shipping Weight Lbs.
0586T00038	NPTF, Threaded	3/8	No	Aluminum	90°	Yes	2.6
0586T00034	NPTF, Threaded	3/4	No	Aluminum	90°	Yes	2.9
0586T00118	NPTF, Threaded	1-1/8	No	Aluminum	90°	Yes	3.4
0586T00112	NPTF, Threaded	1-1/2	No	Aluminum	90°	Yes	4.1

*Note: Longer shut-off heights in 1/2" increments are generally available up to 5-1/2". For custom heights, contact the factory.



Fig. 0586S0A

Fig. 0586S0A Swivel Fill Limit Valve (FLV)

CONSTRUCTION:

- Machined Aluminum
- Blue Polymer Valve
- Standard ullage depths range from 3/8" to 1-1/2"
- For mounting on aluminum tanks
- See page E-10 for more FLV information

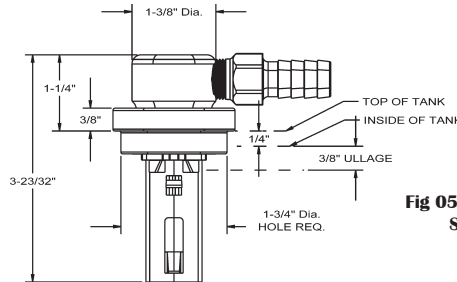


Fig 0586S0A038 Shown



Fig. 0586S0A112

Fig. 0586S0A118

Fig. 0586S0A034

Fig. 0586S0A038

Technical Information

Catalog No.	Length Inches	Width Inches	Projection Inches	Ullage Depth Inches	Hose Connection Inches	Mounting Hole Dia. Inches
0586S0A038	3-23/32	2	1-1/4	3/8	5/8	1-3/4
0586S0A034	4-3/32	2	1-1/4	3/4	5/8	1-3/4
0586S0A118	4-15/32	2	1-1/4	1-1/8	5/8	1-3/4
0586S0A112	4-27/32	2	1-1/4	1-1/2	5/8	1-3/4

Ordering Information - OEM Bulk Pkg. 10 Pcs.

Catalog No.	Style	Ullage Depth Inches*	Collar	For Use on Tank Type	Angle Port	Fire Test Capable	Shipping Weight Lbs.
0586S0A038	Swivel	3/8	Yes	Aluminum	90°	Yes	4.0
0586S0A034	Swivel	3/4	Yes	Aluminum	90°	Yes	4.2
0586S0A118	Swivel	1-1/8	Yes	Aluminum	90°	Yes	4.8
0588S0A112	Swivel	1-1/2	Yes	Aluminum	90°	Yes	5.5

*Note: Longer shut-off heights in 1/2" increments are generally available up to 5-1/2". For custom heights, contact the factory.



Custom Emissions System Fill Limit Valves
Contact the factory for specific ordering information

Fig. 0586XL Group
Fig 0586S0A400



Fill Limit Valves with longer shut-off heights up to 5-1/2"

Mounting Flange for Aluminum Tanks



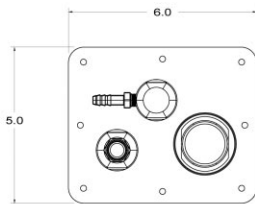
Fig. 0586T00118 with Flange

Distant Sensing FLV

For Polymer Tanks



For Aluminum Tanks



Special Manifold for ICV, FLV and TV

